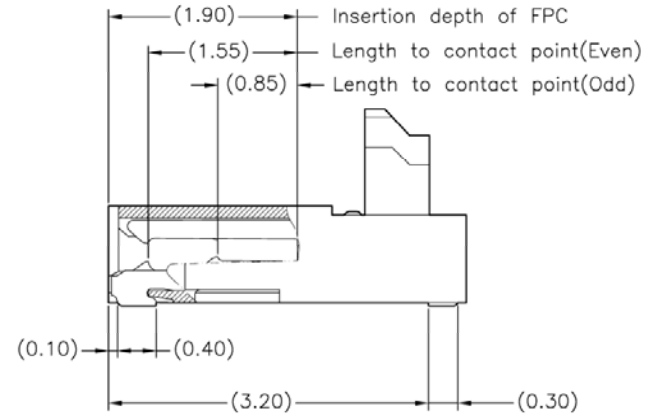
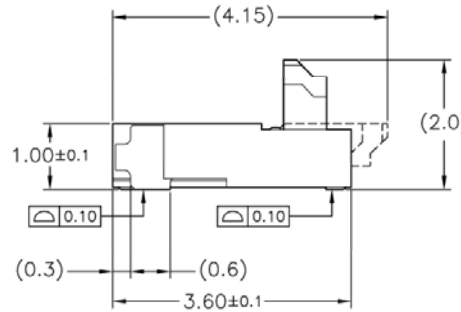
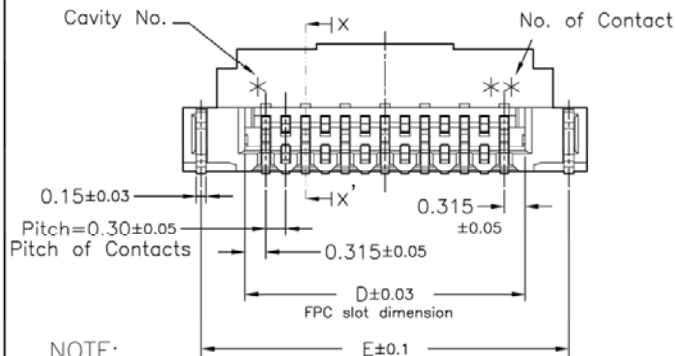
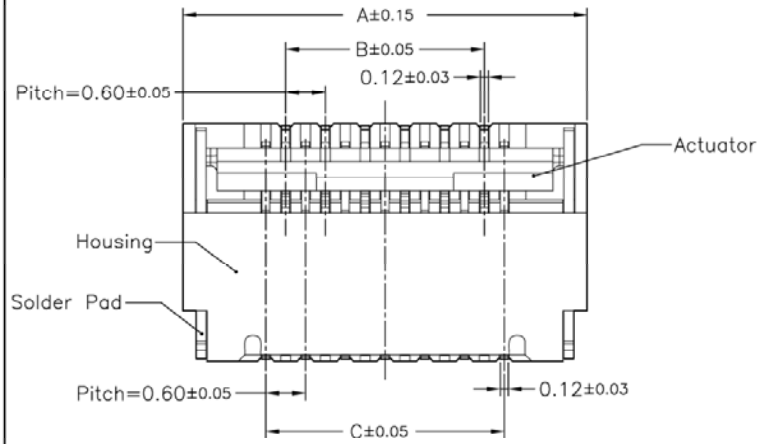


REV.	ECO NO.	DATE	SIGN	DESCRIPTION
A		20100826	Eason	Release



SECT: x-x'
SCALE 15:1

NOTE:

1. MATERIAL:

HOUSING: LCP(UL 94V-0)
ACTUATOR: LCP(UL 94V-0)
TERMINAL: PHOSPHOR BRONZE
STOPPER: PHOSPHOR BRONZE

2. PLATING:

TERMINAL: SEE ORDERING INFORMATION
STOPPER: TIN OVER NICKEL(LEAD FREE)

3. PART NO.:

BL310S-xxS31-TAHO

SERIES

xx: Halogen Free
S: Right angle(Dual contact type)
3: Back flip type
1: S: GOLD FLASH 1u"~3u"(Nickel Barrier)
TA: PACKAGE TA-EMBOSSSED TAPE
HO: Right angle(Dual contact type)

4. RATING:

NO. OF CONTACTS
OPERATING VOLTAGE: 30Vrms AC/DC
CURRENT RATING: 0.2A
OPERATING TEMPERATURE: -55°C ~ +85°C

No. of Contacts	Part Number	DIM. A	DIM. B	DIM. C	DIM. D	DIM. E
09	BL310S-09S31	4.9	1.8	2.4	3.03	4.35
11	BL310S-11S31	5.5	2.4	3.0	3.63	4.95
13	BL310S-13S31	6.1	3.0	3.6	4.23	5.55
15	BL310S-15S31	6.7	3.6	4.2	4.83	6.15
17	BL310S-17S31	7.3	4.2	4.8	5.43	6.75
19	BL310S-19S31	7.9	4.8	5.4	6.03	7.35
21	BL310S-21S31	8.5	5.4	6.0	6.63	7.95
23	BL310S-23S31	9.1	6.0	6.6	7.23	8.55
25	BL310S-25S31	9.7	6.6	7.2	7.83	9.15
27	BL310S-27S31	10.3	7.2	7.8	8.43	9.75
29	BL310S-29S31	10.9	7.8	8.4	9.03	10.35

TOLERANCE UNLESS SPECIFIED		SHEET 1/6	DR. BY Eason 08/26'10	MATERIAL SEE NOTE 1.
LINEAR	ANGLE	SCALE 10/1	CHK. BY Robbie 08/26'10	FINISH SEE NOTE 2.
XX XX	X' XX	UNIT mm	APP. BY Robbie 08/26'10	PART NO. SEE NOTE 3.
.XXX XX	.XX' XX			

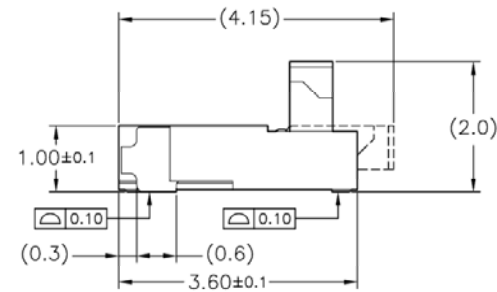
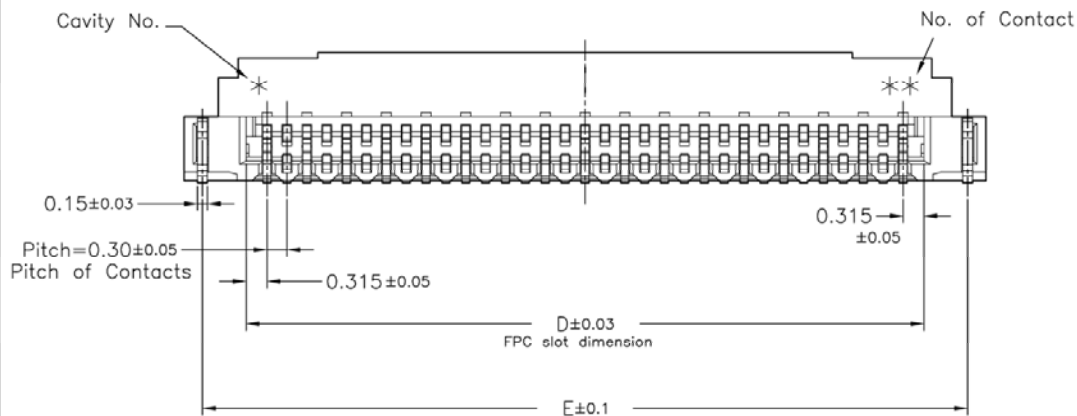
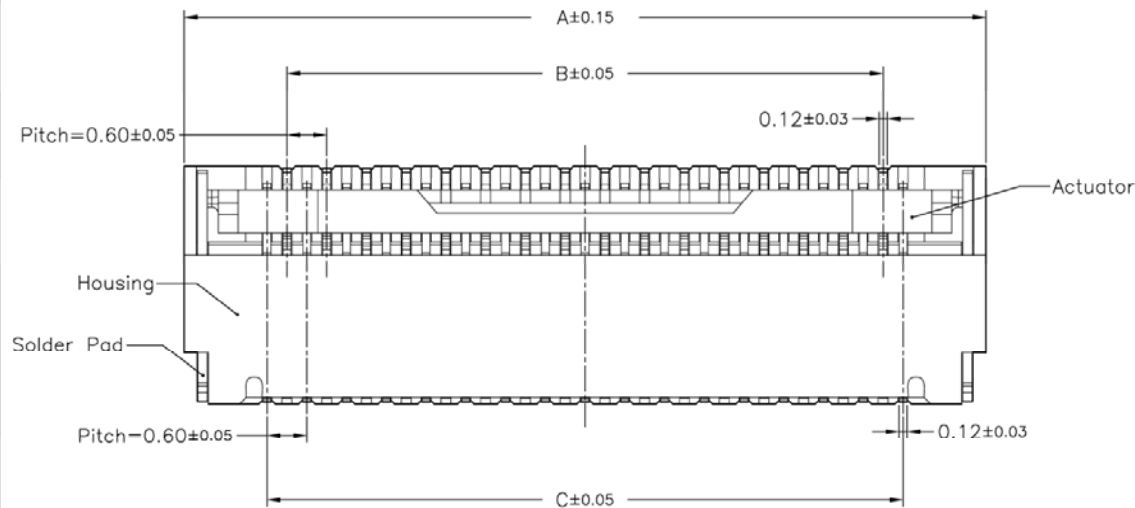


TITLE	0.3mm Pitch FPC Conn. (H=1.0)
DWG NO.	BL310S-xxS31-TAHO

本部品不含有環境管理物質規定之有害物質

[MANAGEMENT REGULATIONS FOR THE RESTRICTIVELY-USED SUBSTANCES INCLUDED IN PARTS AND DEVICES]

REV.	ECO NO.	DATE	SIGN	DESCRIPTION
A		20100826	Eason	Release



No. of Contacts	Part Number	DIM. A	DIM. B	DIM. C	DIM. D	DIM. E
31	BL310S-31S31	11.5	8.4	9.0	9.63	10.95
33	BL310S-33S31	12.1	9.0	9.6	10.23	11.55
35	BL310S-35S31	12.7	9.6	10.2	10.83	12.15
37	BL310S-37S31	13.3	10.2	10.8	11.43	12.75
39	BL310S-39S31	13.9	10.8	11.4	12.03	13.35
41	BL310S-41S31	14.5	11.4	12.0	12.63	13.95
43	BL310S-43S31	15.1	12.0	12.6	13.23	14.55
45	BL310S-45S31	15.7	12.6	13.2	13.83	15.15
49	BL310S-49S31	16.9	13.8	14.4	15.03	16.35
51	BL310S-51S31	17.5	14.4	15.0	15.63	16.95
57	BL310S-57S31	19.3	16.2	16.8	17.43	18.75
61	BL310S-61S31	20.5	17.4	18.0	18.63	19.95
67	BL310S-67S31	22.3	19.2	19.8	20.43	21.75
71	BL310S-71S31	23.5	20.4	21.0	21.63	22.95

TOLERANCE UNLESS SPECIFIED		SHEET 2/6	DR. BY Eason 08/26'10	MATERIAL SEE NOTE 1.
LINEAR	ANGLE			
$\frac{XX}{XX}$	$\frac{X^{\circ}}{XX}$	SCALE 10/1	CHK. BY Robbie 08/26'10	FINISH SEE NOTE 2.
$\frac{.XX}{XXXX}$	$\frac{.X^{\circ}}{XX}$	UNIT mm	APP. BY Robbie 08/26'10	PART NO. SEE NOTE 3.



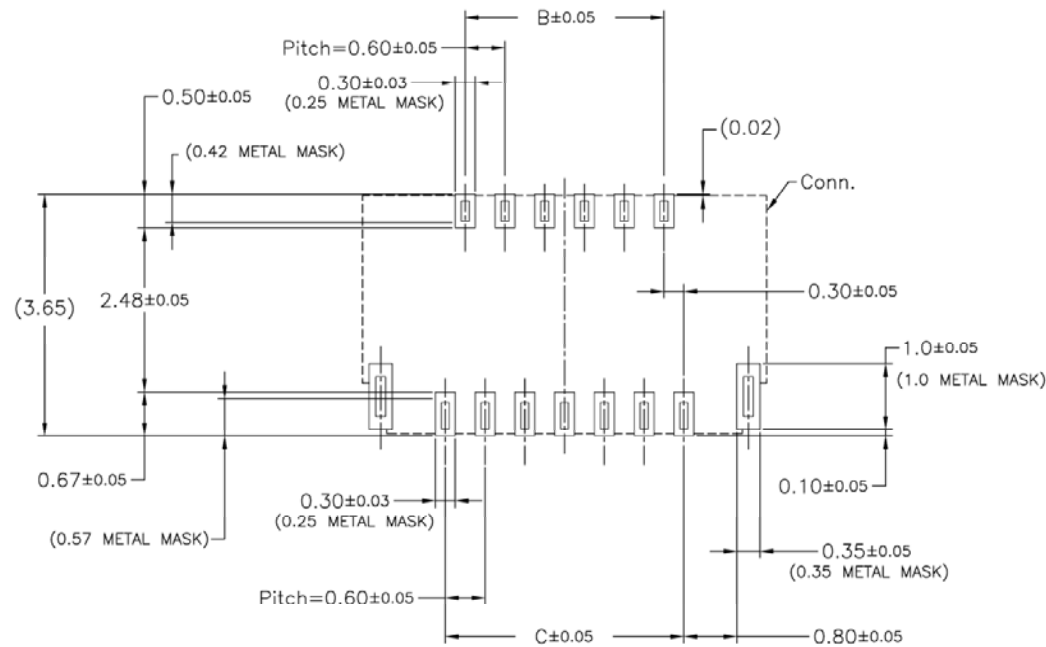
TITLE	0.3mm Pitch FPC Conn. (H=1.0)
DWG NO.	BL310S-xxS31-TAHO

本部品不含有環境管理物質規定之有害物質

[MANAGEMENT REGULATIONS FOR THE RESTRICTIVELY-USED SUBSTANCES INCLUDED IN PARTS AND DEVICES]

REV.	ECO NO.	DATE	SIGN	DESCRIPTION
A		20100826	Eason	Release

Recommended metal mask pattern(thickness 0.1mm)



FPC/FFC INSERT DIRECTION

PCB Layout

No.of Contacts	Part Number	DIM. B	DIM. C
09	BL310S-09S31	1.8	2.4
11	BL310S-11S31	2.4	3.0
13	BL310S-13S31	3.0	3.6
15	BL310S-15S31	3.6	4.2
17	BL310S-17S31	4.2	4.8
19	BL310S-19S31	4.8	5.4
21	BL310S-21S31	5.4	6.0
23	BL310S-23S31	6.0	6.6
25	BL310S-25S31	6.6	7.2
27	BL310S-27S31	7.2	7.8
29	BL310S-29S31	7.8	8.4
31	BL310S-31S31	8.4	9.0
33	BL310S-33S31	9.0	9.6
35	BL310S-35S31	9.6	10.2
37	BL310S-37S31	10.2	10.8
39	BL310S-39S31	10.8	11.4
41	BL310S-41S31	11.4	12.0
43	BL310S-43S31	12.0	12.6
45	BL310S-45S31	12.6	13.2
49	BL310S-49S31	13.8	14.4
51	BL310S-51S31	14.4	15.0
57	BL310S-57S31	16.2	16.8
61	BL310S-61S31	17.4	18.0
67	BL310S-67S31	19.2	19.8
71	BL310S-71S31	20.4	21.0

TOLERANCE UNLESS SPECIFIED	
LINEAR	ANGLE
XX	X° XX
.XX XX	.X° XX
.XXXXX	.XX° XX

SHEET 3/6	DR. BY Eason 08/26'10	MATERIAL
SCALE 10/1	CHK. BY Robbie 08/26'10	FINISH
UNIT mm	APP. BY Robbie 08/26'10	PART NO.

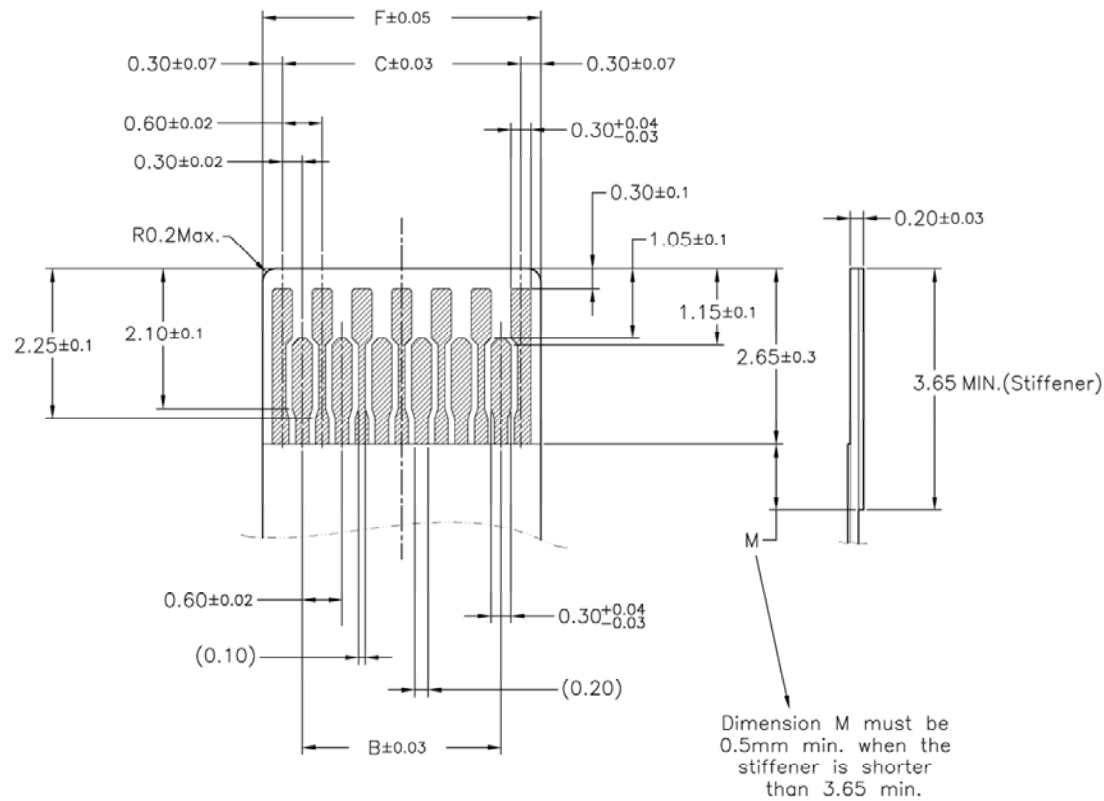


TITLE	0.3mm Pitch FPC Conn. (H=1.0)
DWG NO.	BL310S-xxS31-TAHO

本部品不含有環境管理物質規定之有害物質

[MANAGEMENT REGULATIONS FOR THE RESTRICTIVELY-USED SUBSTANCES INCLUDED IN PARTS AND DEVICES]

REV.	ECO NO.	DATE	SIGN	DESCRIPTION
A		20100826	Eason	Release



Applicable FPC

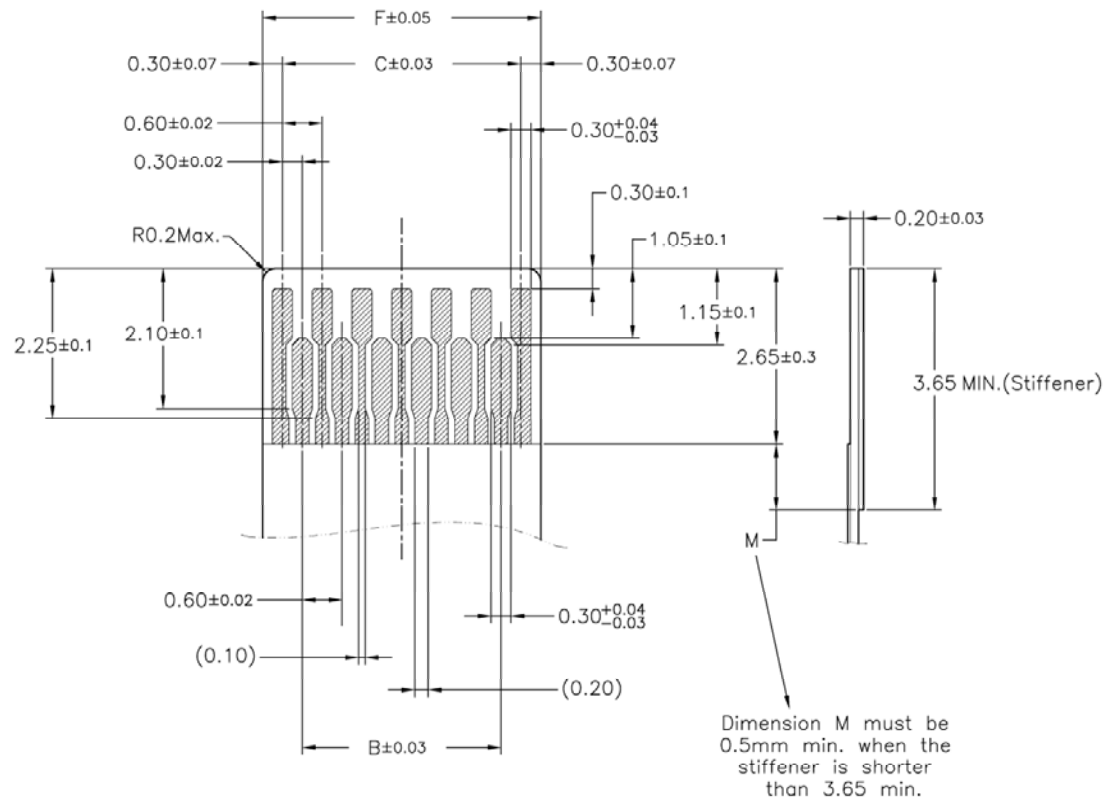
No. of Contacts	Part Number	DIM. B	DIM. C	DIM. F
09	BL310S-09S31	1.8	2.4	3.0
11	BL310S-11S31	2.4	3.0	3.6
13	BL310S-13S31	3.0	3.6	4.2
15	BL310S-15S31	3.6	4.2	4.8
17	BL310S-17S31	4.2	4.8	5.4
19	BL310S-19S31	4.8	5.4	6.0
21	BL310S-21S31	5.4	6.0	6.6
23	BL310S-23S31	6.0	6.6	7.2
25	BL310S-25S31	6.6	7.2	7.8
27	BL310S-27S31	7.2	7.8	8.4
29	BL310S-29S31	7.8	8.4	9.0
31	BL310S-31S31	8.4	9.0	9.6
33	BL310S-33S31	9.0	9.6	10.2
35	BL310S-35S31	9.6	10.2	10.8
37	BL310S-37S31	10.2	10.8	11.4
39	BL310S-39S31	10.8	11.4	12.0
41	BL310S-41S31	11.4	12.0	12.6
43	BL310S-43S31	12.0	12.6	13.2
45	BL310S-45S31	12.6	13.2	13.8
49	BL310S-49S31	13.8	14.4	15.0
51	BL310S-51S31	14.4	15.0	15.6
57	BL310S-57S31	16.2	16.8	17.4
61	BL310S-61S31	17.4	18.0	18.6
67	BL310S-67S31	19.2	19.8	20.4
71	BL310S-71S31	20.4	21.0	21.6

TOLERANCE UNLESS SPECIFIED		SHEET 4/6	DR. BY Eason 08/26'10	MATERIAL
LINEAR	ANGLE	SCALE 10/1	CHK. BY Robbie 08/26'10	FINISH
XX	X' XX	UNIT mm	APP. BY Robbie 08/26'10	PART NO.
XX XX	X' XX			
XXXXX	XX' XX			
		TITLE 0.3mm Pitch FPC Conn. (H=1.0)		
		DWG NO. BL310S-xxS31-TAHO		

本產品不含有環境管理物質規定之有害物質

[MANAGEMENT REGULATIONS FOR THE RESTRICTIVELY-USED SUBSTANCES INCLUDED IN PARTS AND DEVICES]

REV.	ECO NO.	DATE	SIGN	DESCRIPTION
A		20100826	Eason	Release



Applicable FPC

No. of Contacts	Part Number	DIM. B	DIM. C	DIM. F
09	BL310S-09S31	1.8	2.4	3.0
11	BL310S-11S31	2.4	3.0	3.6
13	BL310S-13S31	3.0	3.6	4.2
15	BL310S-15S31	3.6	4.2	4.8
17	BL310S-17S31	4.2	4.8	5.4
19	BL310S-19S31	4.8	5.4	6.0
21	BL310S-21S31	5.4	6.0	6.6
23	BL310S-23S31	6.0	6.6	7.2
25	BL310S-25S31	6.6	7.2	7.8
27	BL310S-27S31	7.2	7.8	8.4
29	BL310S-29S31	7.8	8.4	9.0
31	BL310S-31S31	8.4	9.0	9.6
33	BL310S-33S31	9.0	9.6	10.2
35	BL310S-35S31	9.6	10.2	10.8
37	BL310S-37S31	10.2	10.8	11.4
39	BL310S-39S31	10.8	11.4	12.0
41	BL310S-41S31	11.4	12.0	12.6
43	BL310S-43S31	12.0	12.6	13.2
45	BL310S-45S31	12.6	13.2	13.8
49	BL310S-49S31	13.8	14.4	15.0
51	BL310S-51S31	14.4	15.0	15.6
57	BL310S-57S31	16.2	16.8	17.4
61	BL310S-61S31	17.4	18.0	18.6
67	BL310S-67S31	19.2	19.8	20.4
71	BL310S-71S31	20.4	21.0	21.6

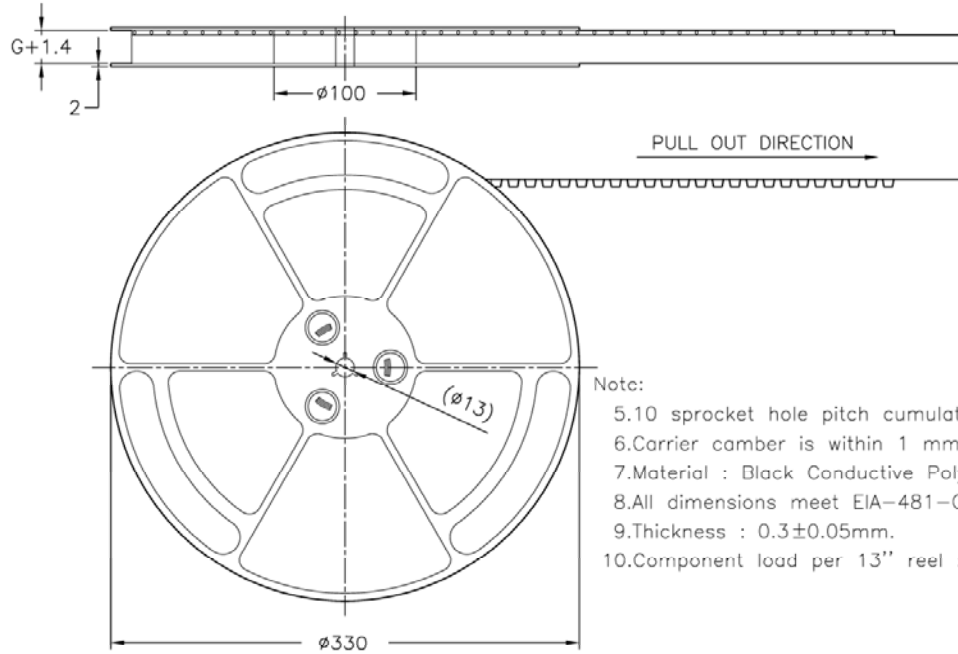
TOLERANCE UNLESS SPECIFIED		SHEET 4/6	DR. BY Eason 08/26'10	MATERIAL
LINEAR	ANGLE	SCALE 10/1	CHK. BY Robbie 08/26'10	FINISH
XX	X' XX	UNIT mm	APP. BY Robbie 08/26'10	PART NO.
XX XX	X' XX			
XXXXX	XX' XX			
		TITLE 0.3mm Pitch FPC Conn. (H=1.0)		
		DWG NO. BL310S-xxS31-TAHO		

本產品不含有環境管理物質規定之有害物質

[MANAGEMENT REGULATIONS FOR THE RESTRICTIVELY-USED SUBSTANCES INCLUDED IN PARTS AND DEVICES]

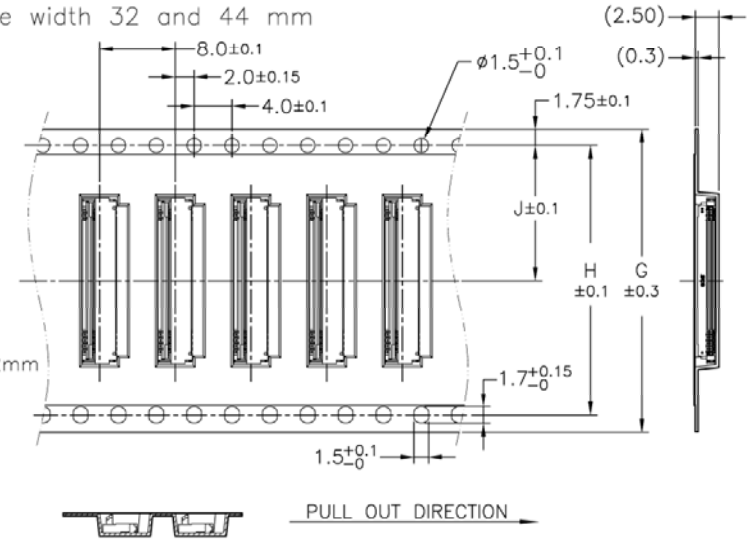
EMBOSSED TAPE PACKING BL310S SERIES

REV.	ECO NO.	DATE	SIGN	DESCRIPTION
A		20100826	Eason	Release

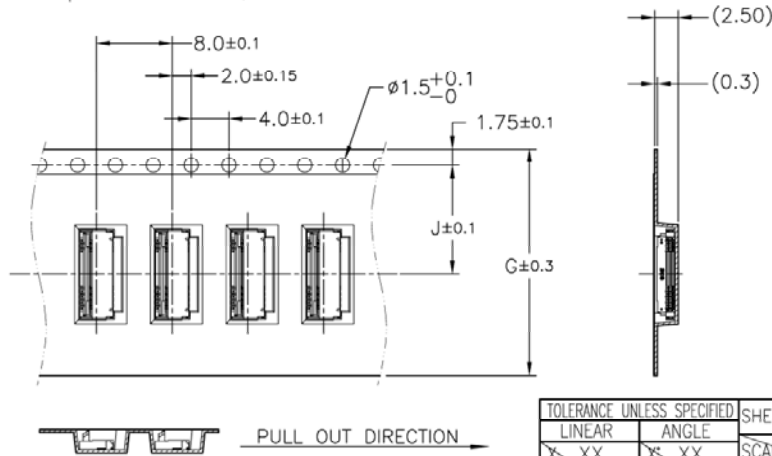


- Note:
- 5.10 sprocket hole pitch cumulative tolerance
 6. Carrier camber is within 1 mm in 250mm. ±0.2mm
 7. Material : Black Conductive Polystyrene Alloy.
 8. All dimensions meet EIA-481-C requirements.
 9. Thickness : 0.3±0.05mm.
 10. Component load per 13" reel : 3500 pcs

Tape width 32 and 44 mm



Tape width 12, 16 and 24 mm



No. of Contacts	Part Number	DIM. G	DIM. H	DIM. J
09	BL310S-09S31	12	—	5.5
11	BL310S-11S31			
13	BL310S-13S31	16	—	7.5
19	BL310S-19S31			
21	BL310S-21S31	24	—	11.5
45	BL310S-45S31			
49	BL310S-49S31	32	28.4	14.2
51	BL310S-51S31			
57	BL310S-57S31	32	28.4	14.2
67	BL310S-67S31			
71	BL310S-71S31	44	40.4	20.2

TOLERANCE UNLESS SPECIFIED		SHEET 5/6	DR. BY Eason 08/26'10	MATERIAL
LINEAR	ANGLE	SCALE	CHK. BY Robbie 08/26'10	FINISH
.XX XX	X' XX	UNIT mm	APP. BY Robbie 08/26'10	PART NO.
.XX XX	X' XX			
.XXXX	.XX XX			

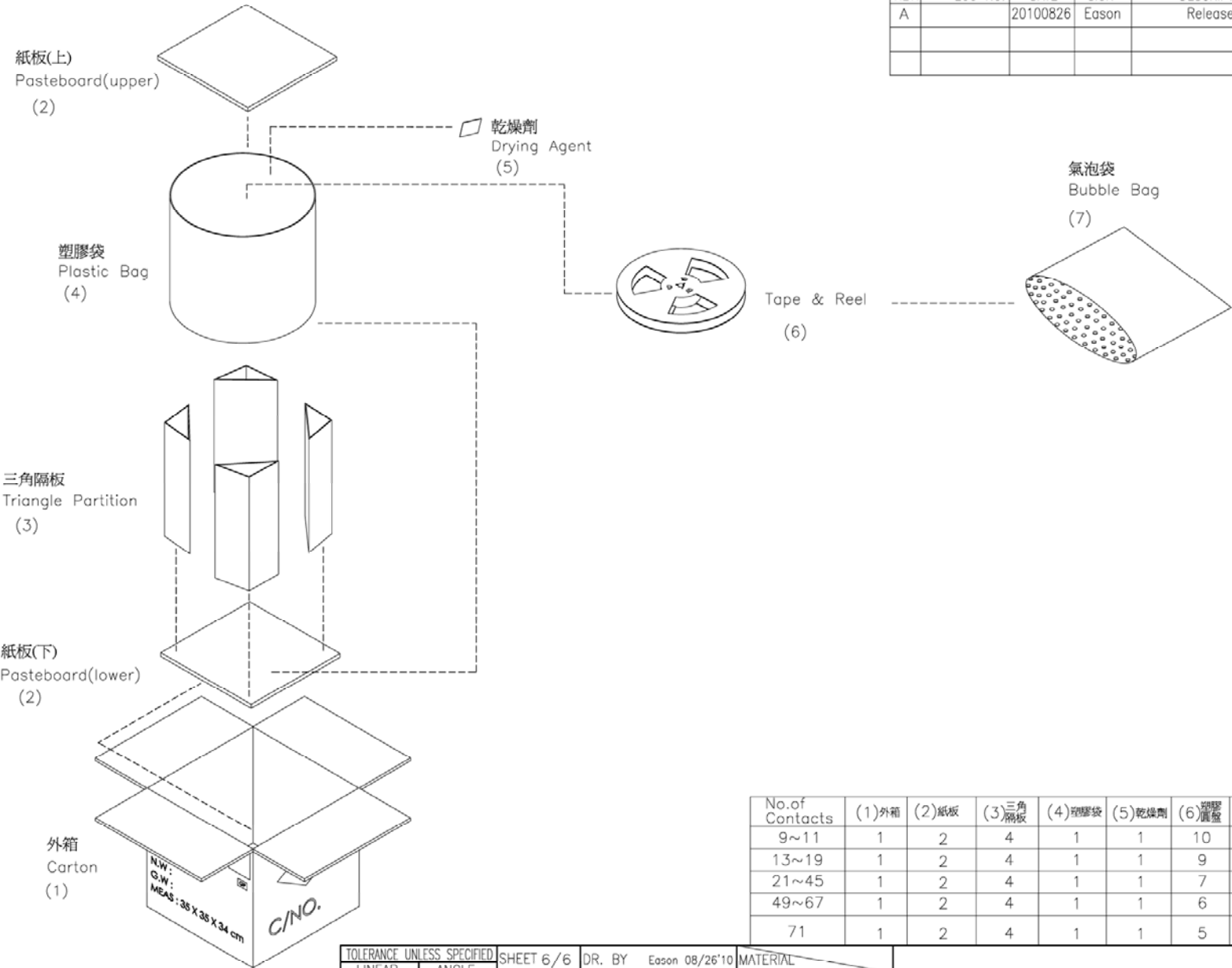


TITLE	0.3mm Pitch FPC Conn. (H=1.0)
DWG NO.	BL310S-xxS31-TAHO

本產品不含有環境管理物質規定之有害物質

[MANAGEMENT REGULATIONS FOR THE RESTRICTIVELY-USED SUBSTANCES INCLUDED IN PARTS AND DEVICES]

REV.	ECO NO.	DATE	SIGN	DESCRIPTION
A		20100826	Eason	Release



No. of Contacts	(1)外箱	(2)紙板	(3)三角隔板	(4)塑膠袋	(5)乾燥劑	(6)塑膠層墊	(7)氣泡袋
9~11	1	2	4	1	1	10	10
13~19	1	2	4	1	1	9	9
21~45	1	2	4	1	1	7	7
49~67	1	2	4	1	1	6	6
71	1	2	4	1	1	5	5

TOLERANCE UNLESS SPECIFIED		SHEET 6/6	DR. BY Eason 08/26'10	MATERIAL
LINEAR	ANGLE	SCALE	CHK. BY Robbie 08/26'10	FINISH
.XX XX	.X' XX	UNIT mmm	APP. BY Robbie 08/26'10	PART NO.
.XX XX	.X' XX			
.XXX XX	.XX' XX			
				TITLE 0.3mm Pitch FPC Conn. (H=1.0)
				DWG NO. BL310S-xxS31-TAHO

本部品不含有環境管理物質規定之有害物質

[MANAGEMENT REGULATIONS FOR THE RESTRICTIVELY-USED SUBSTANCES INCLUDED IN PARTS AND DEVICES]